



SUNDOR 5000 SLIDING GLASS DOOR "Small MISSILE IMPACT"

GENERAL NOTES

1. This product has been evaluated and is in compliance with the 2010 Florida Building Code (FBC) structural requirements excluding the "High Velocity Hurricane Zone".
2. Product anchors shall be as listed and spaced as shown on details. Anchor embedment to base material shall be beyond wall dressing or stucco.
3. When installed greater than 30 feet above grade in areas requiring wind borne debris protection this product complies with Section 1609.1.2 of the 2010 FBC and does not require an impact resistant covering. This product meets missile level "A" and includes Wind Zone 4 as defined in ASTM E 1996 and Section 1609.1.2.4 of the FBC.
4. When installed 30 feet or less above grade in areas requiring wind borne debris protection this product must be protected with an impact resistant covering that complies with section 1609.1.2 of the 2010 FBC.
5. Site conditions that deviate from the details of this drawing require further engineering analysis by a licensed engineer or registered architect.

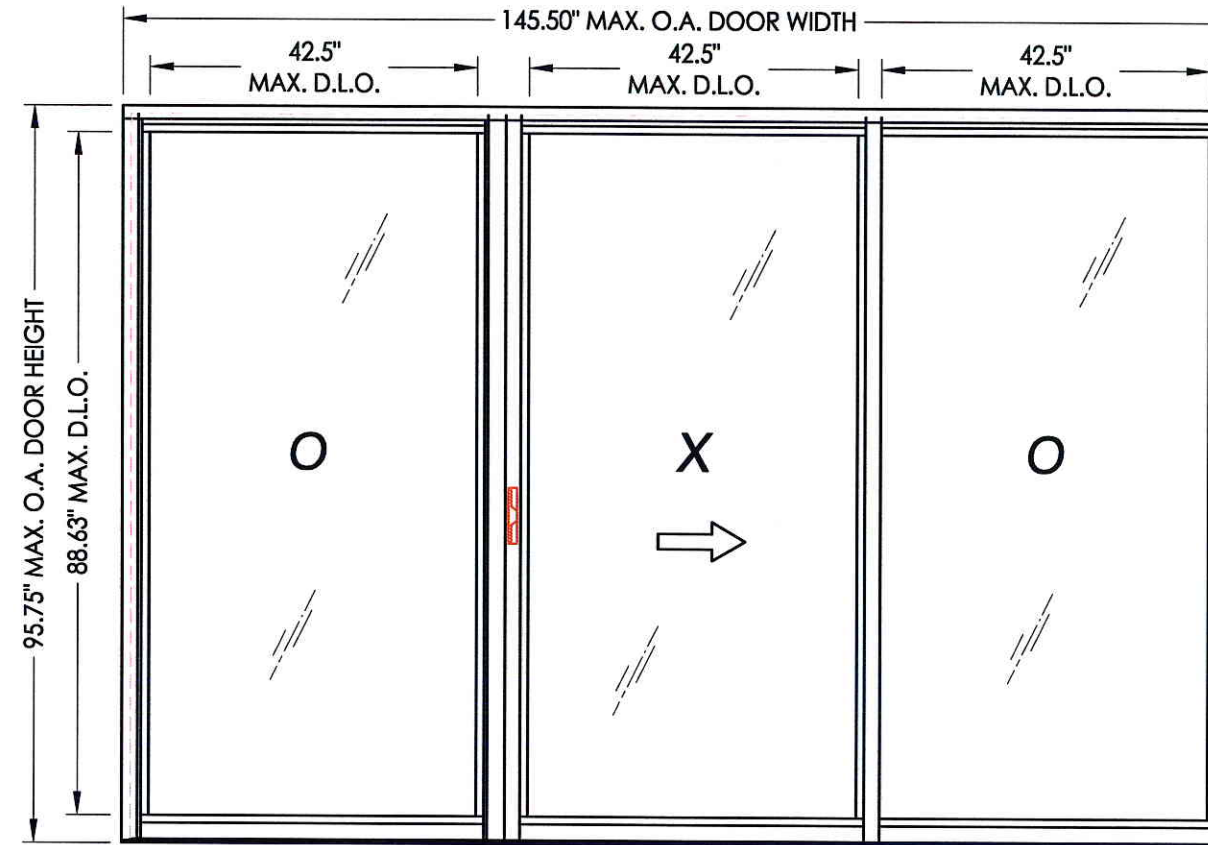


TABLE OF CONTENTS	
SHEET #	DESCRIPTION
1	TYPICAL ELEVATIONS, DESIGN PRESSURES & GENERAL NOTES
2	DOOR PANEL SECTIONS
3	DOOR PANEL SECTIONS
4	SIDELITE PANEL SECTIONS
5	CORNER DETAILS
6	HORIZONTAL CROSS SECTIONS
7	VERTICAL CROSS SECTIONS
8	ANCHORING - CONCRETE SUBSTRATE
9	ANCHORING - STEEL SUBSTRATE
10	COMPONENTS
11	BILL OF MATERIALS & COMPONENTS

O.A. FRAME DIMENSION	D.L.O. DIMENSION	GLASS TYPE	DESIGN PRESSURE (PSF)	
			POSITIVE	NEGATIVE
145.50" x 95.75"	42.50" x 88.63"	G1	115.0	135.0
145.50" x 95.75"	42.50" x 88.63"	G2	115.0	135.0

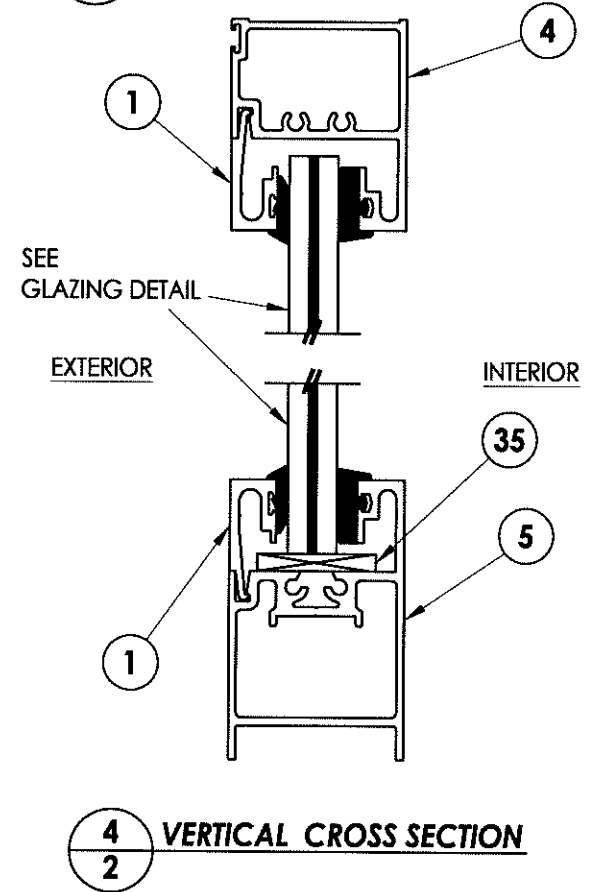
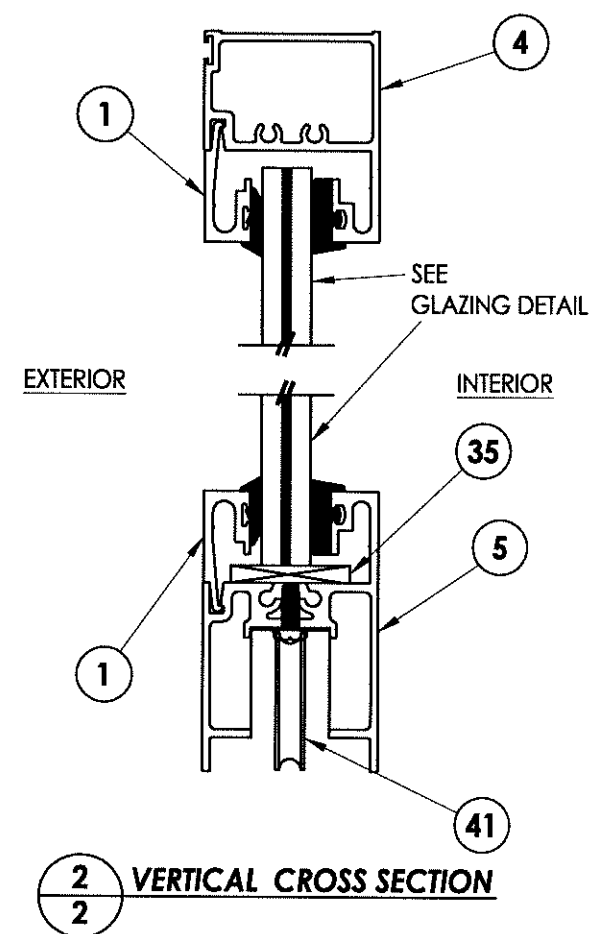
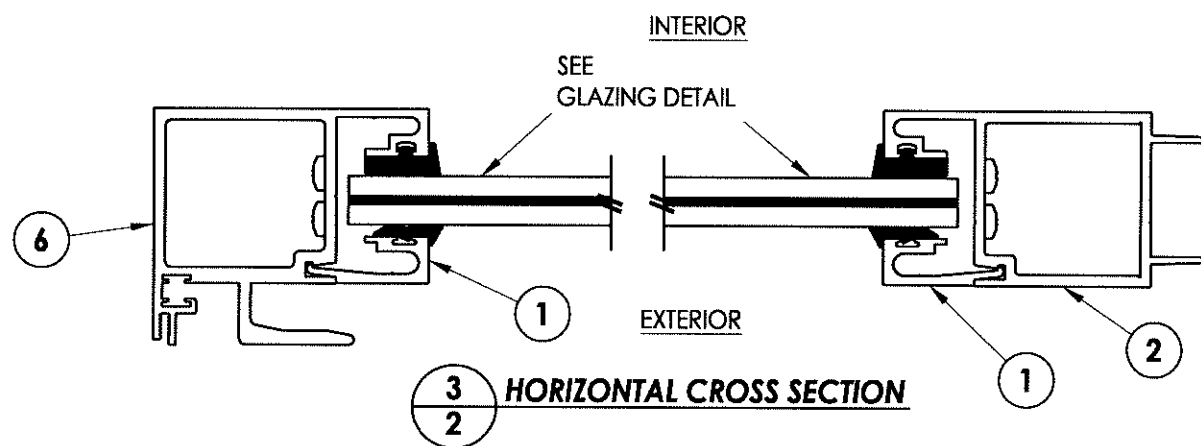
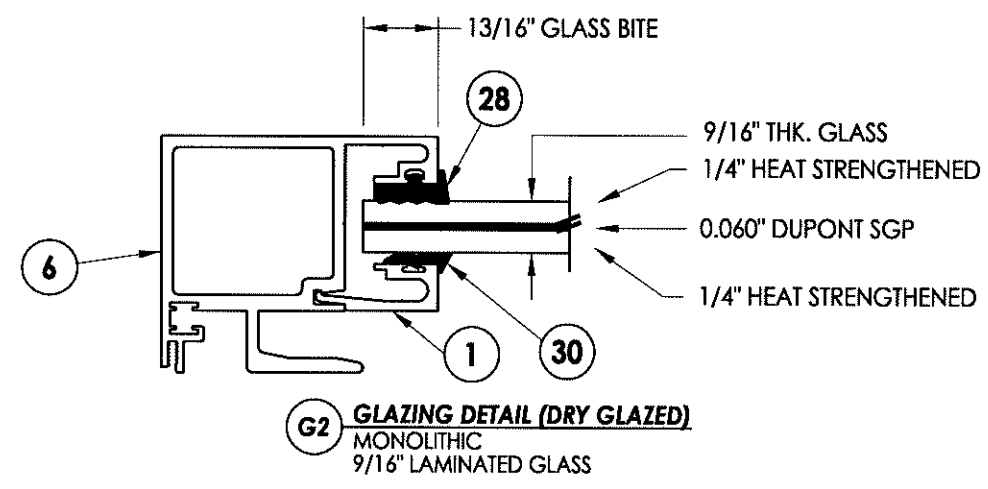
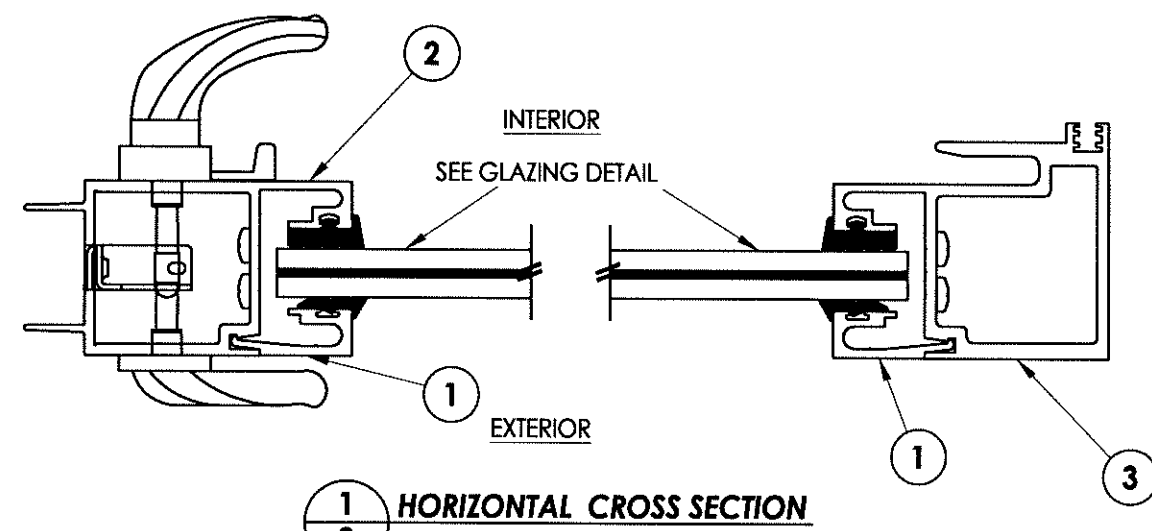
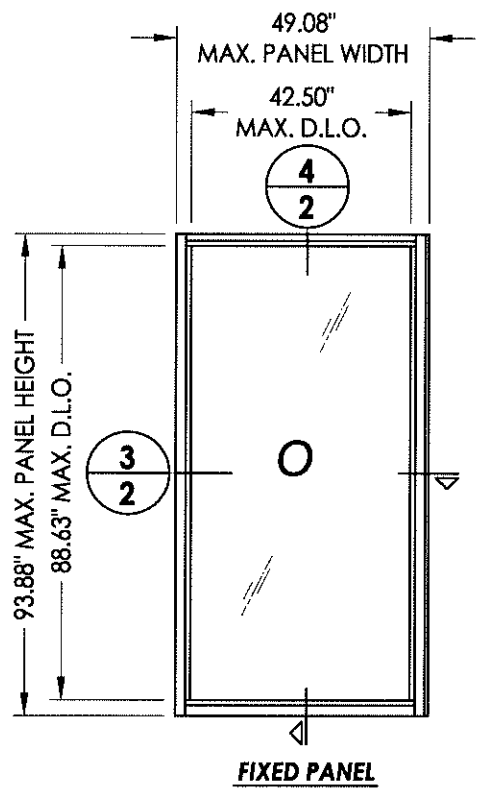
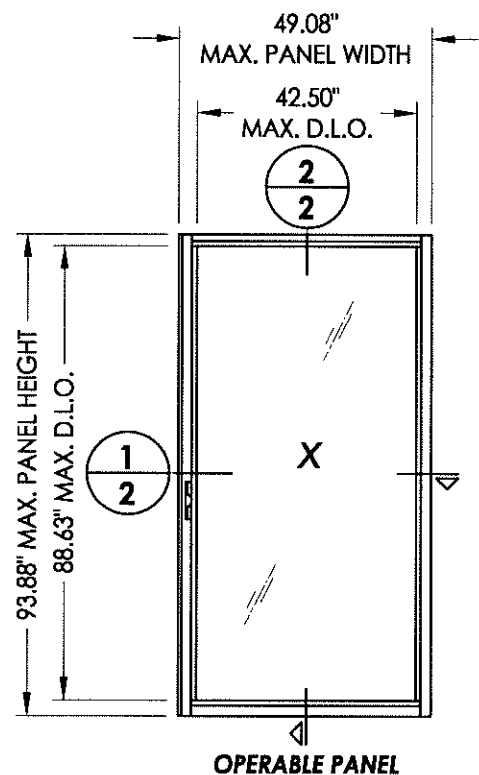
Documents Prepared By: **RW** BUILDING CONSULTANTS, INC.
P.O. Box 230 Valrico FL 33595
Phone No.: 813.659.9197
Florida Board of Professional Engineers
Certificate Of Authorization No. 9813
LFS 8.27.12
Lyndon F. Schmidt, P.E. No. 43409

PRODUCT: SLIDING GLASS DOOR
PART OR ASSEMBLY: TYPICAL ELEVATION, DESIGN PRESSURES & GENERAL NOTES

NO.	DATE	BY	REVISIONS

DATE: 8/24/12
SCALE: N.T.S.
DWG. BY: JK
CHK. BY: LFS
DRAWING NO.: FL-15903.14
SHEET 1 OF 11

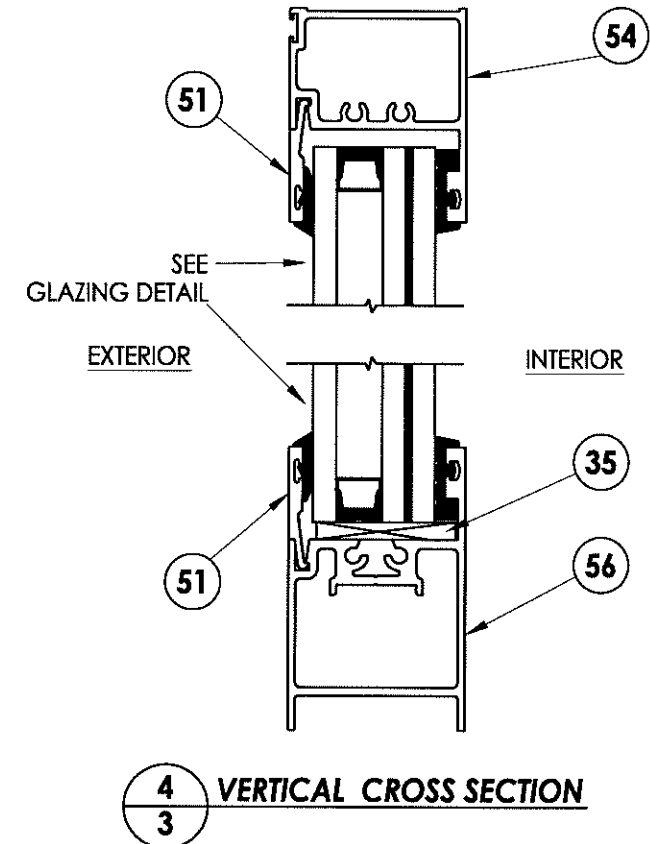
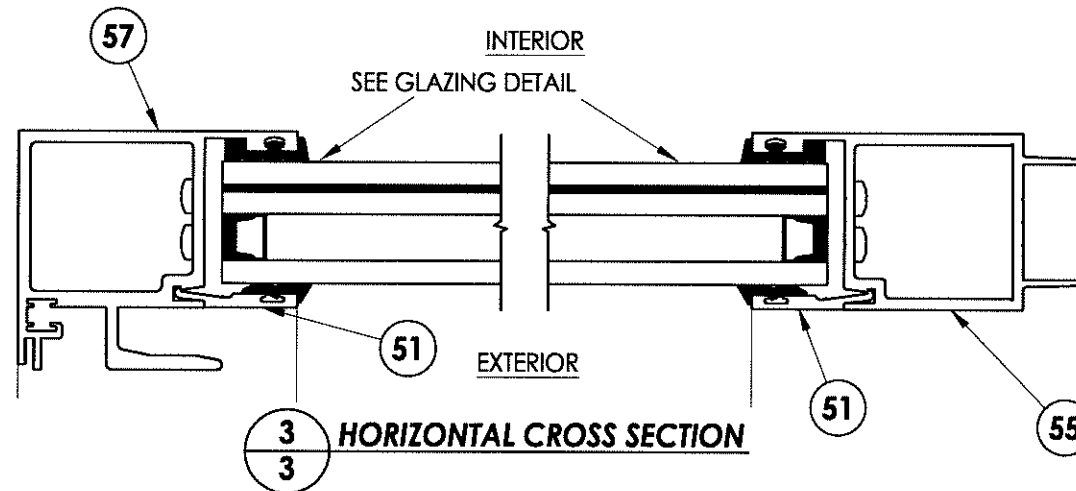
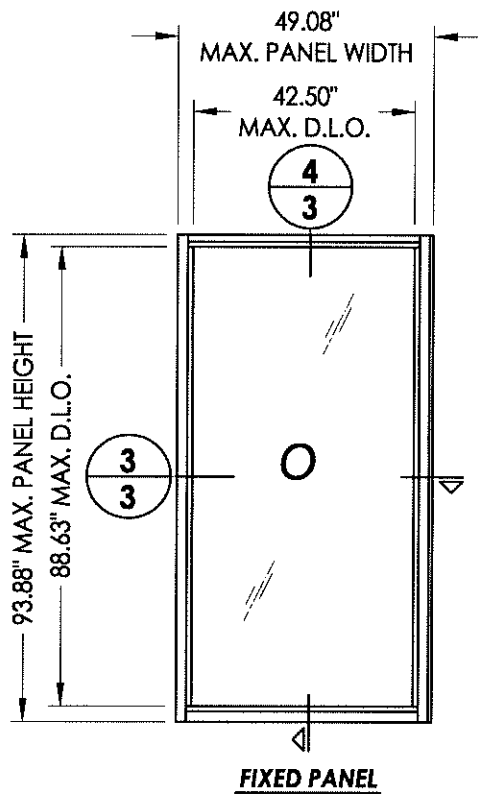
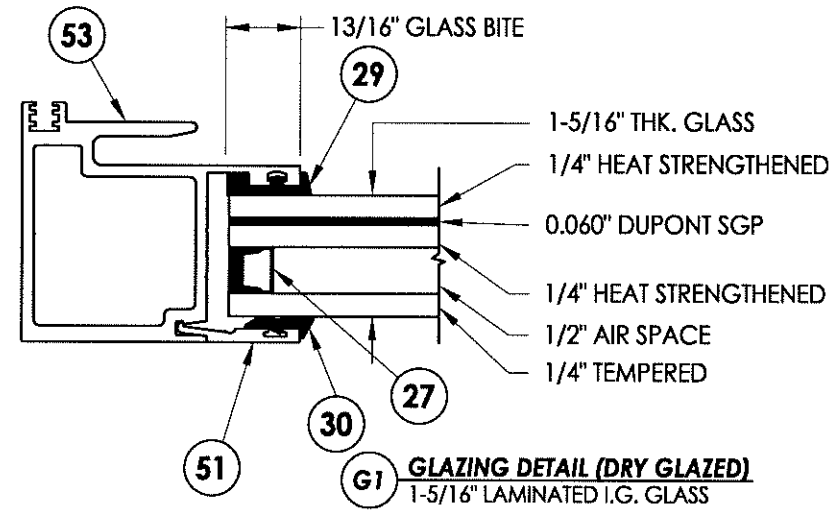
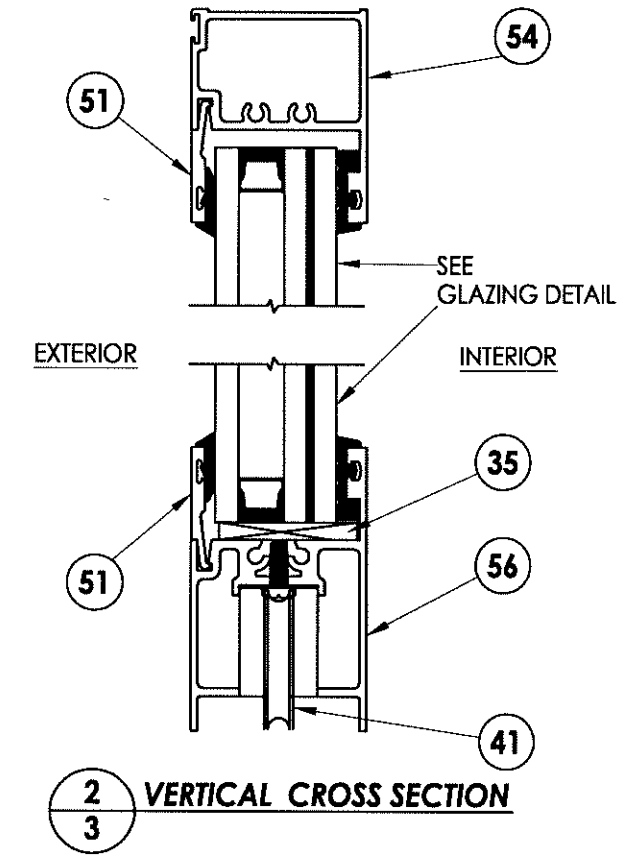
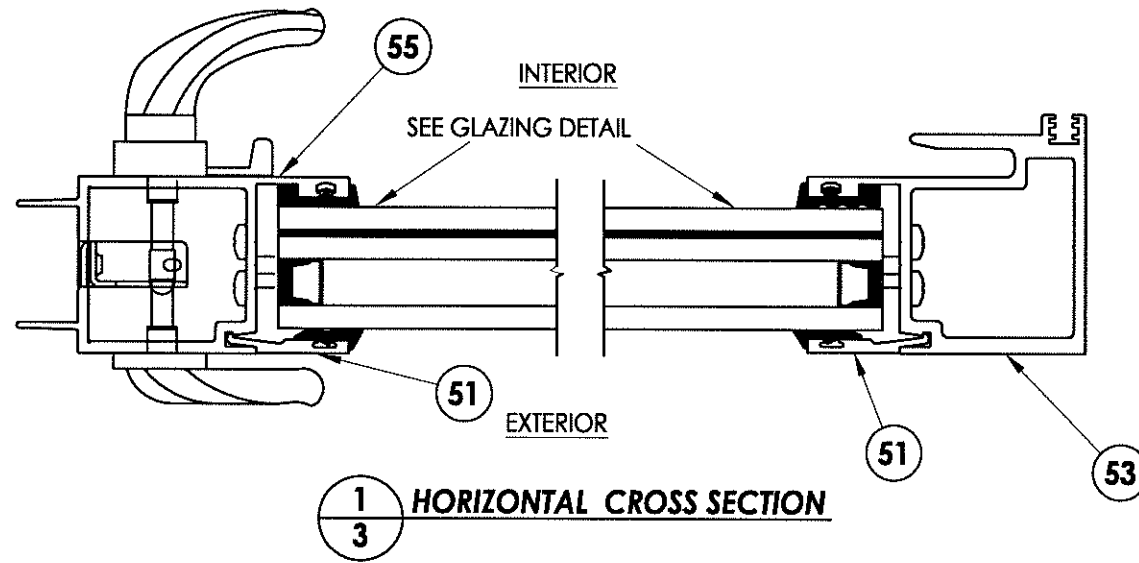
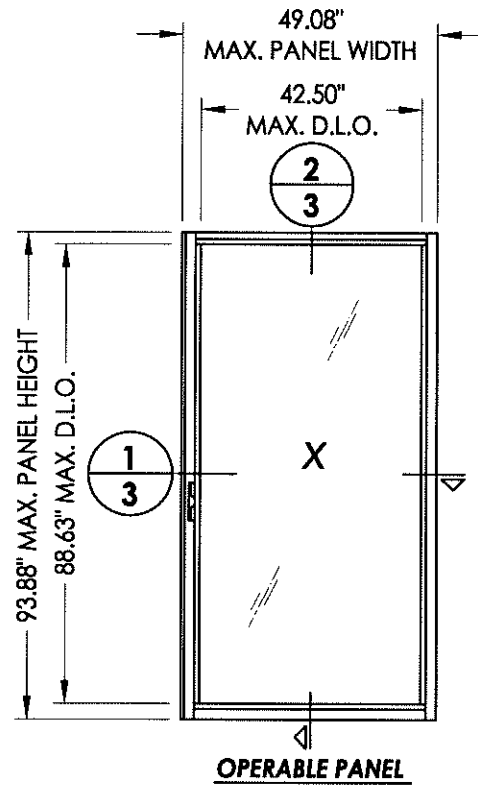
© 2012 R.W. BUILDING CONSULTANTS INC.



Documents Prepared By: **RW** BUILDING CONSULTANTS, INC.
P.O. Box 230 Vairico FL 33595
Phone No.: 813.659.9197
Florida Board of Professional Engineers
Certificate Of Authorization No. 9813
8.27.12
Lyndon F. Schmidt, P.E. No. 43409

PRODUCT: SLIDING GLASS DOOR	
PART OR ASSEMBLY: DOOR PANEL SECTIONS	
NO.	DATE
BY	
REVISIONS	
DATE: 8/24/12	
SCALE: N.T.S.	
DWG. BY: JK	
CHK. BY: LFS	
DRAWING NO.: FL-15903.14	
SHEET 2 OF 11	

© 2012 R.W. BUILDING CONSULTANTS INC.



PRODUCT:

SLIDING GLASS DOOR

PART OR ASSEMBLY:

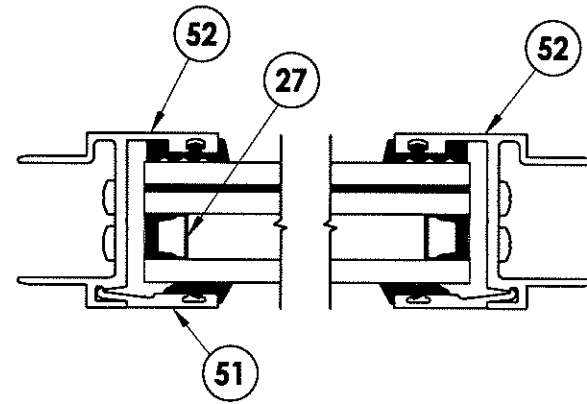
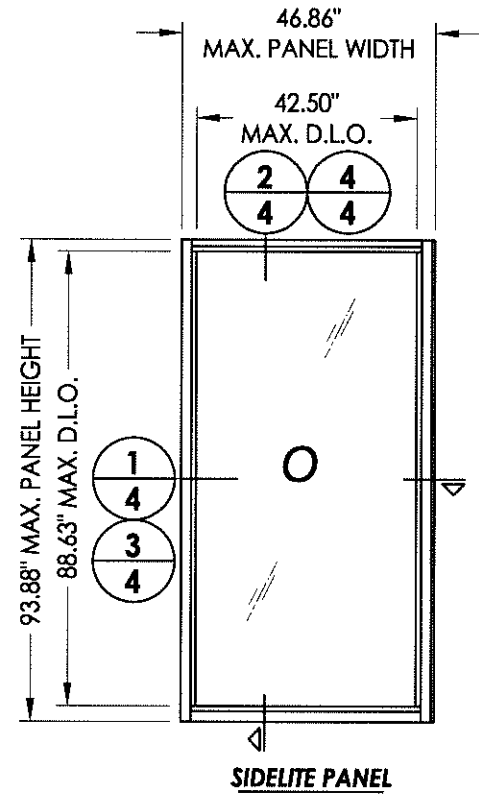
DOOR PANEL SECTIONS

NO.	DATE	BY	REVISIONS

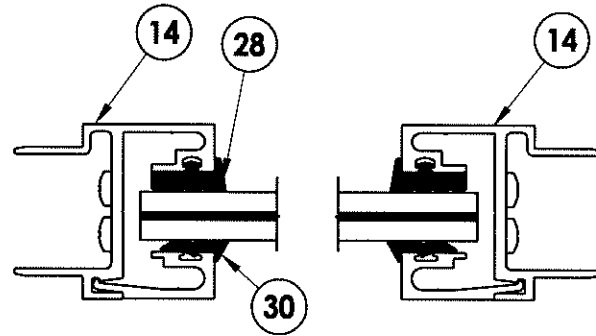
DATE: 8/24/12
SCALE: N.T.S.
DWG. BY: JK
CHK. BY: LFS
DRAWING NO.: FL-15903.14
SHEET 3 OF 11

Documents Prepared By:

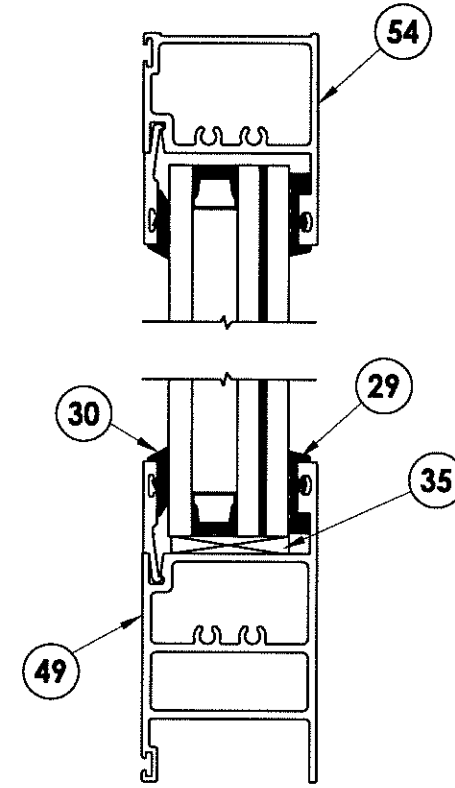
RW BUILDING CONSULTANTS, INC.
P.O. Box 230 Valrico FL 33595
Phone No.: 813.659.9197
Florida Board of Professional Engineers
Certificate Of Authorization No. 9813
Lyndon F. Schmidt, P.E. No. 43409



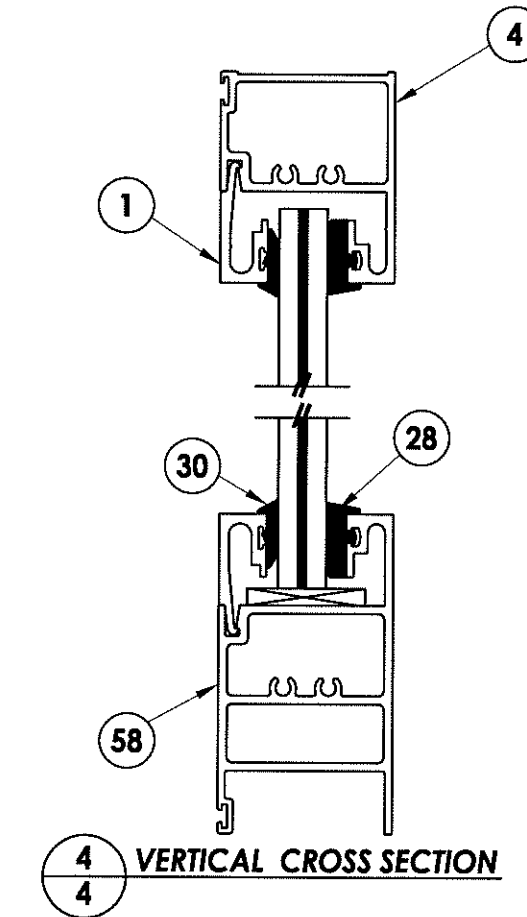
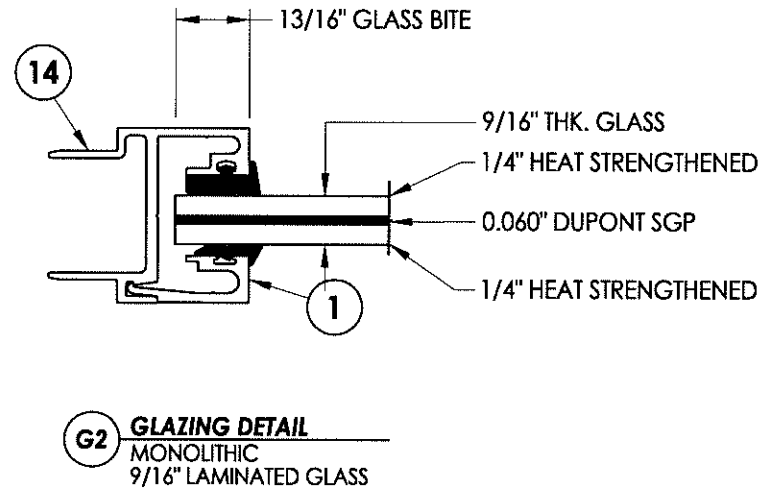
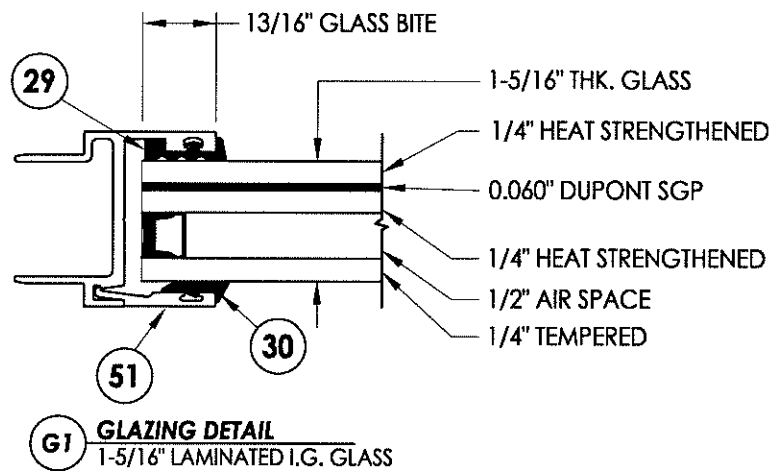
1
4 HORIZONTAL CROSS SECTION



3
4 HORIZONTAL CROSS SECTION



2
4 VERTICAL CROSS SECTION



4
4 VERTICAL CROSS SECTION

Documents Prepared By:

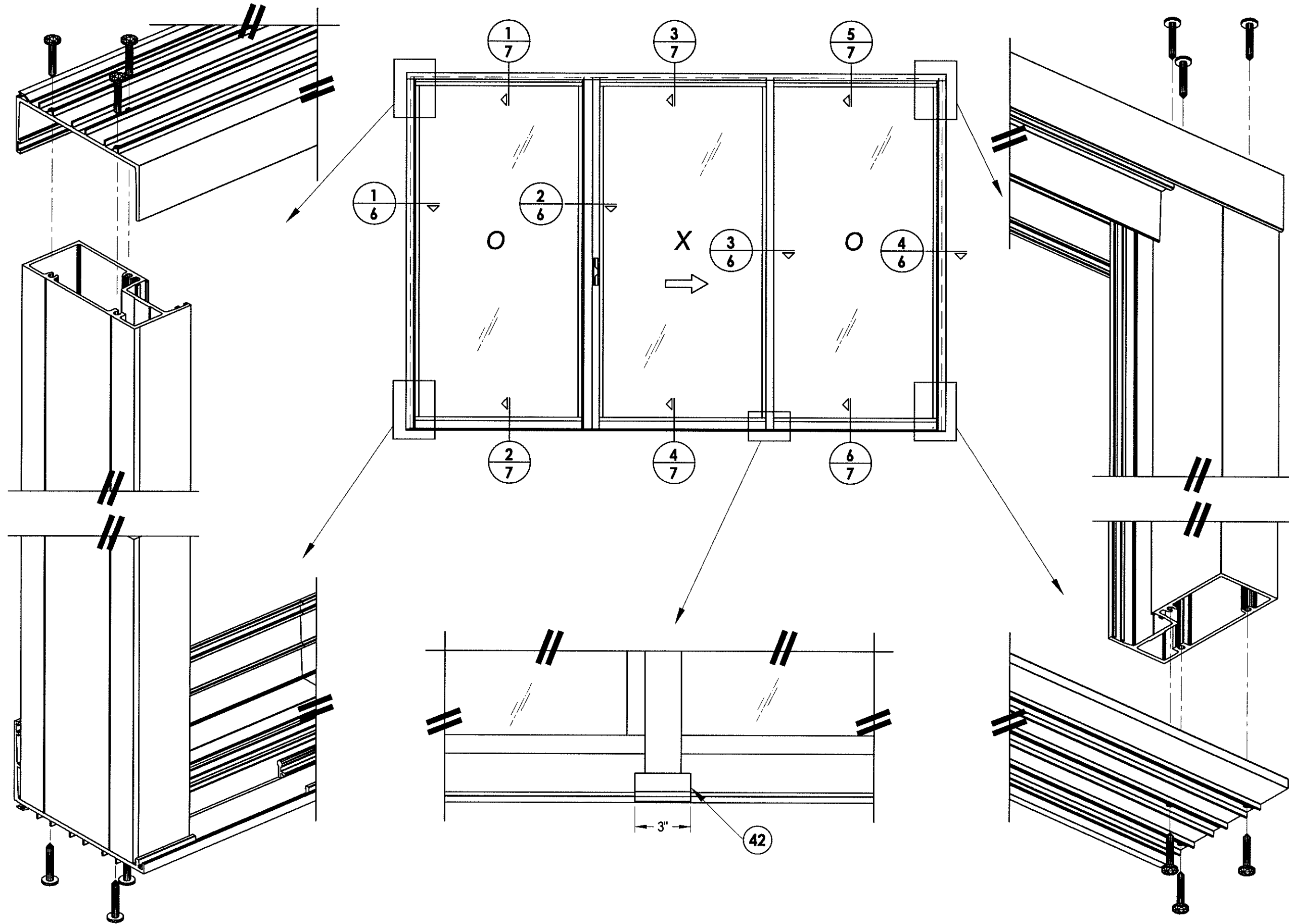
RW BUILDING CONSULTANTS, INC.
P.O. Box 230 Valrico FL 33595
Phone No.: 813.659.9197
Florida Board of Professional Engineers
Certificate Of Authorization No. 9813
LFS 8.27.12
Lyndon F. Schmidt, P.E. No. 43409

PRODUCT: SLIDING GLASS DOOR

PART OR ASSEMBLY: SIDELITE PANEL SECTIONS

NO.	DATE	BY	REVISIONS

DATE: 8/24/12
SCALE: N.T.S.
DWG. BY: JK
CHK. BY: LFS
DRAWING NO.: FL-15903.14
SHEET 4 OF 11

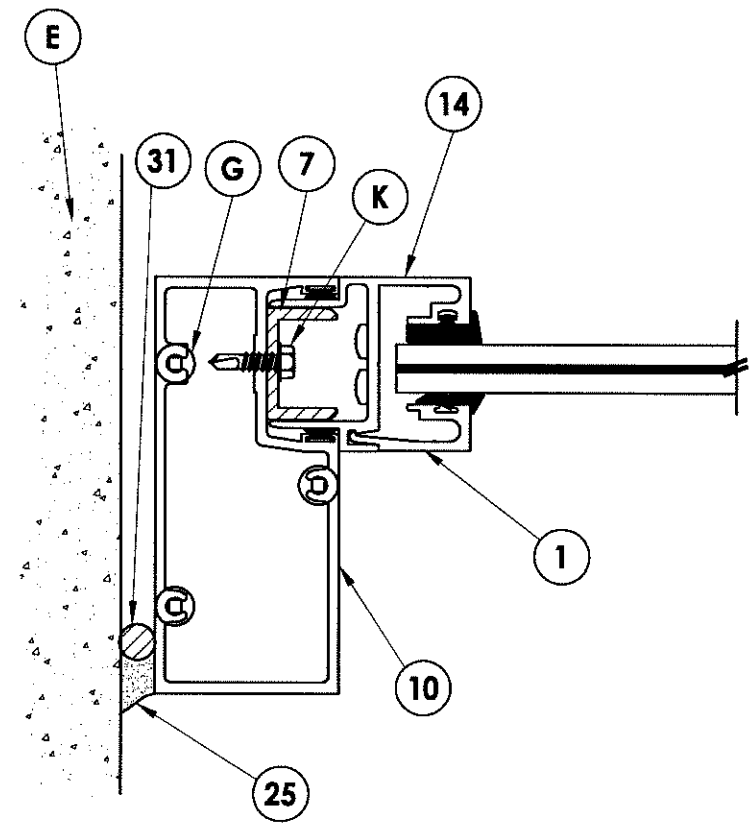


Documents Prepared By:
RW BUILDING CONSULTANTS, INC.
 P.O. Box 230 Valrico FL 33595
 Phone No.: 813.659.9197
 Florida Board of Professional Engineers
 Certificate Of Authorization No. 9813
LFS 8.27.12
 Lyndon F. Schmidt, P.E. No. 43409

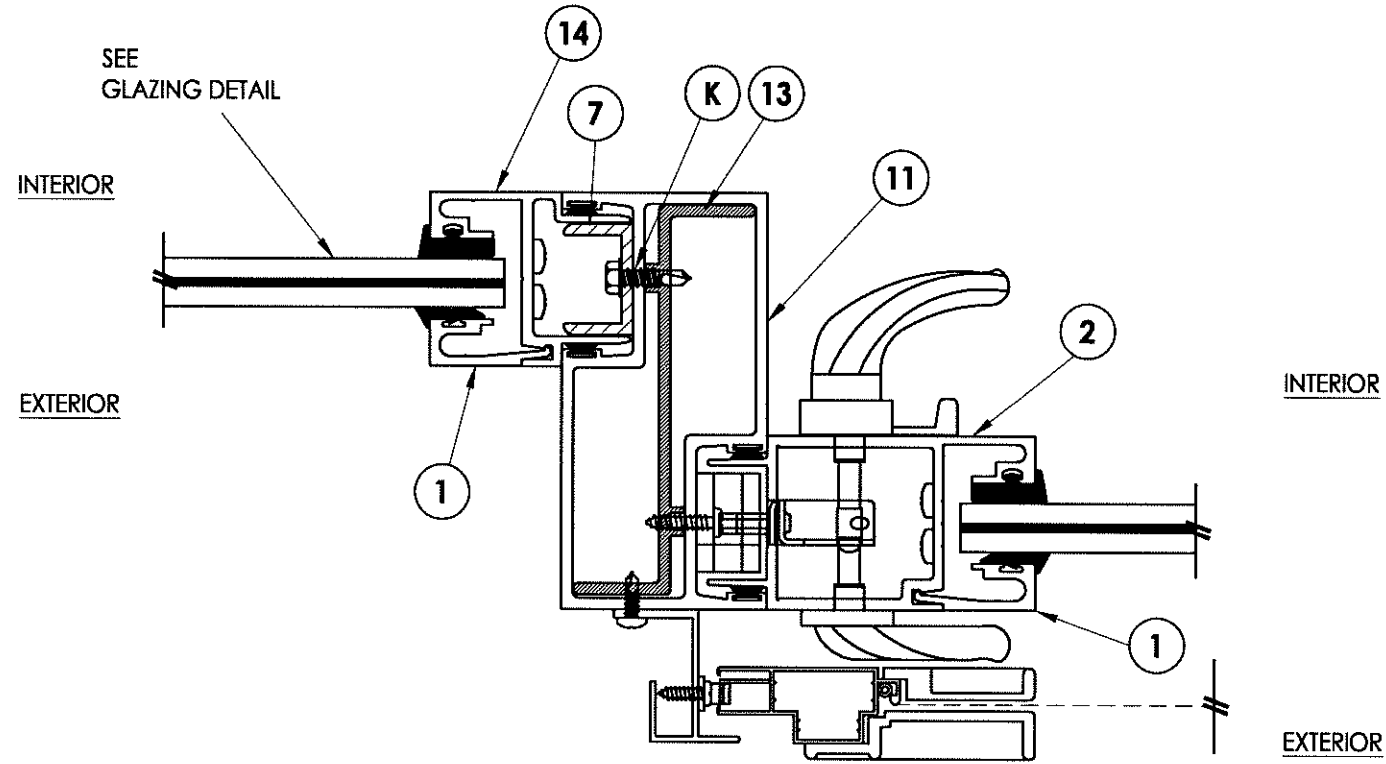
PRODUCT: SLIDING GLASS DOOR
 PART OR ASSEMBLY: CORNER DETAIL

NO.	DATE	BY

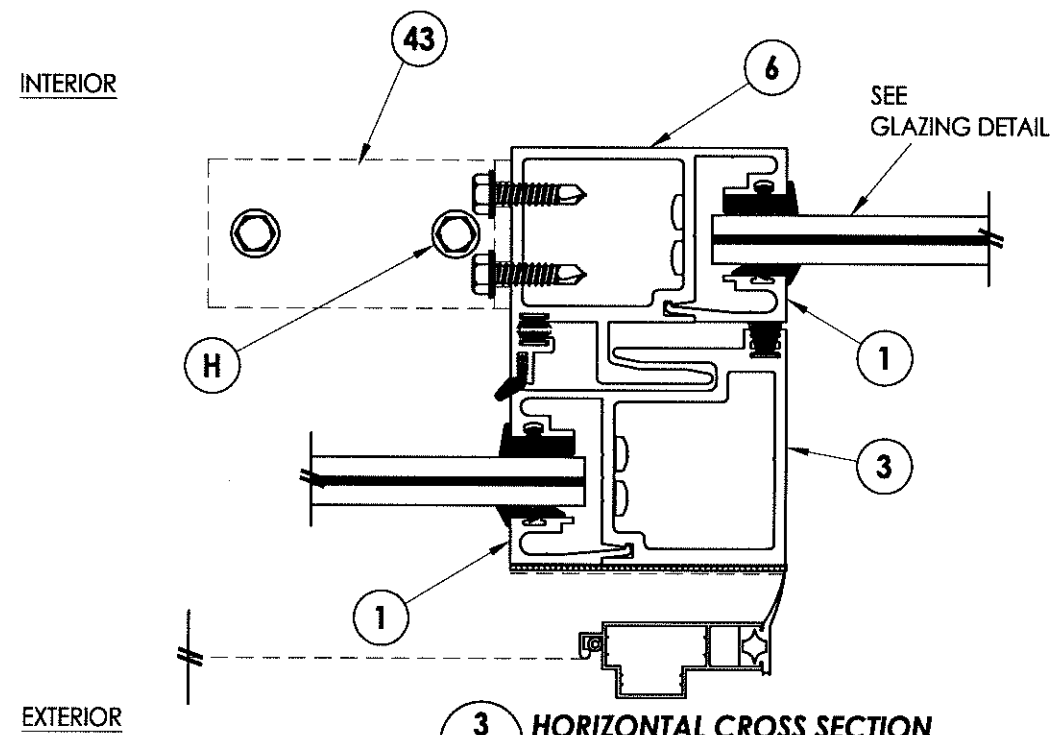
DATE: 8/24/12
 SCALE: N.T.S.
 DWG. BY: JK
 CHK. BY: LFS
 DRAWING NO.: FL-15903.14
 SHEET 5 OF 11



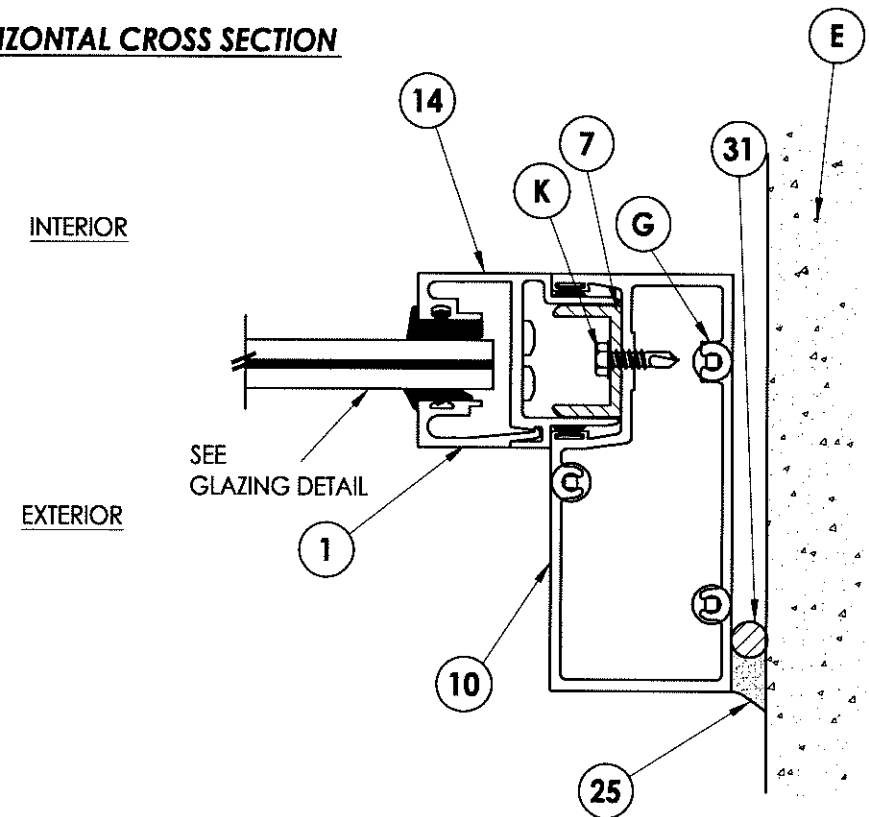
1
6 HORIZONTAL CROSS SECTION



2
6 HORIZONTAL CROSS SECTION



3
6 HORIZONTAL CROSS SECTION



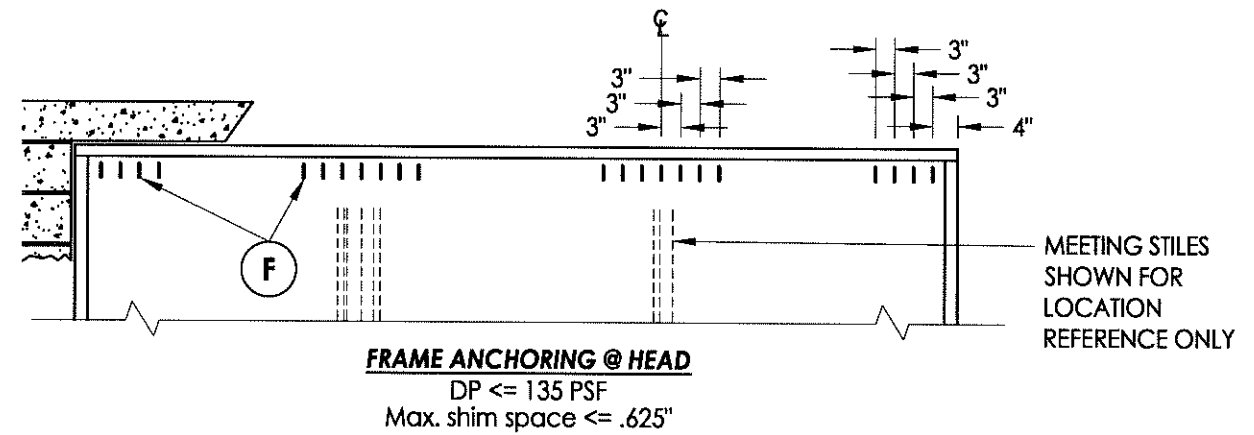
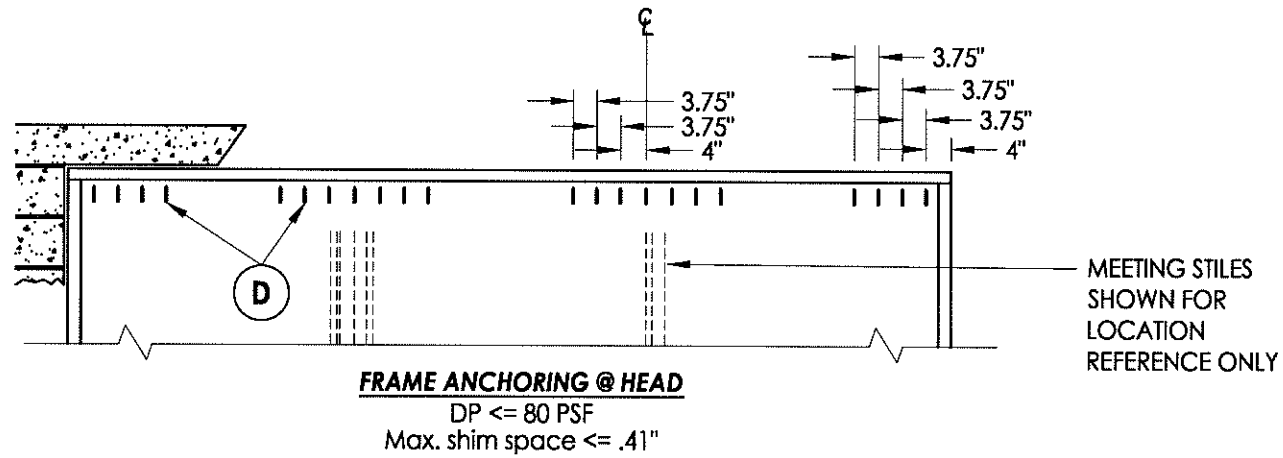
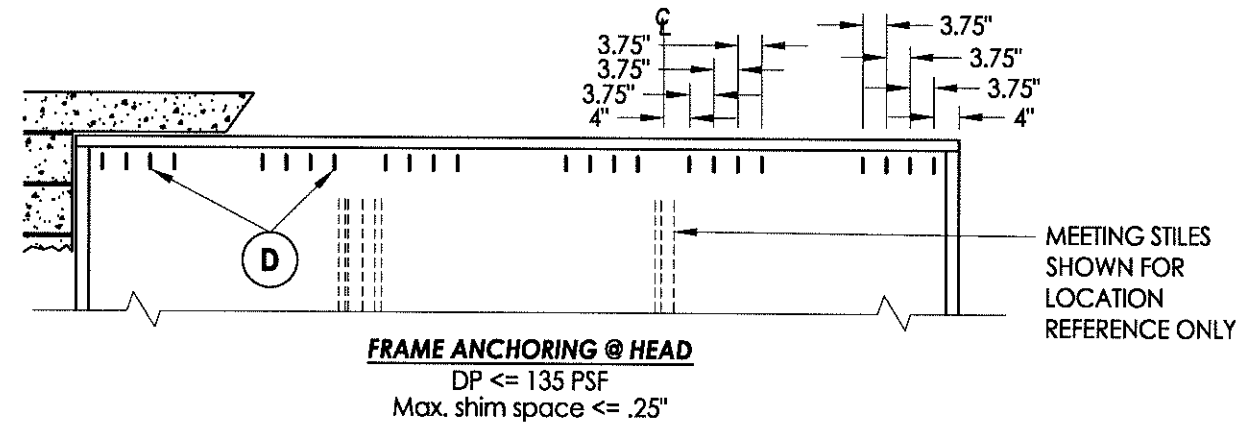
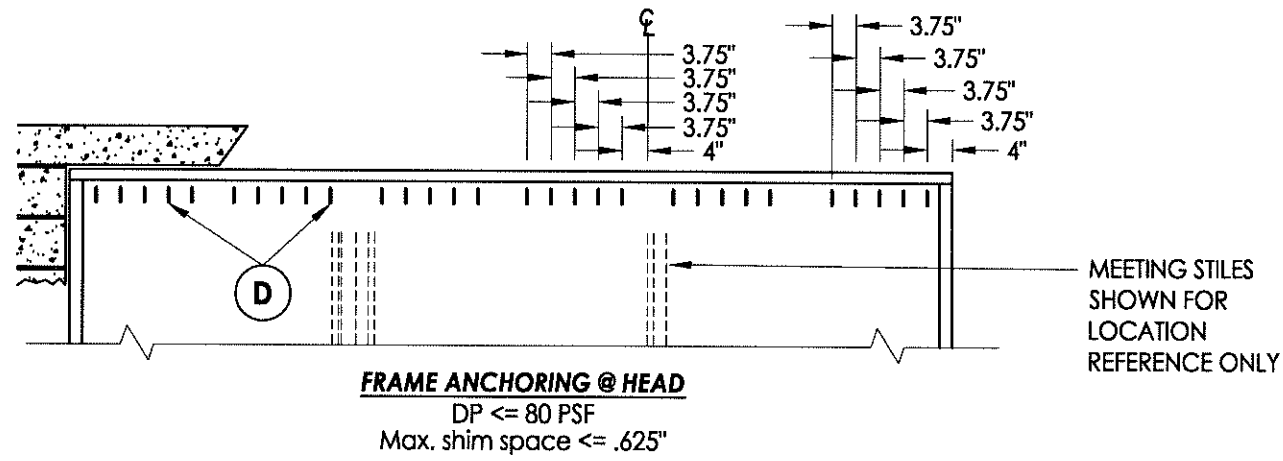
4
6 HORIZONTAL CROSS SECTION

PRODUCT:	SLIDING GLASS DOOR
PART OR ASSEMBLY:	HORIZONTAL CROSS SECTION

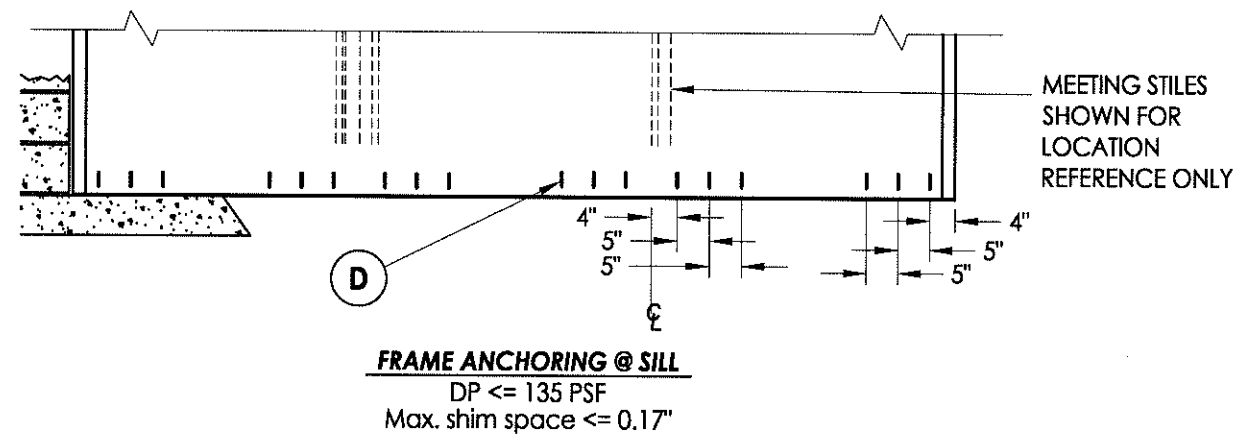
NO.	DATE	BY	REVISIONS

DATE:	8/24/12
SCALE:	N.T.S.
DWG. BY:	JK
CHK. BY:	LFS
DRAWING NO.:	FL-15903.14
SHEET	6 OF 11

Documents Prepared By:
RW BUILDING CONSULTANTS, INC.
 P.O. Box 230 Vairico FL 33595
 Phone No.: 813.659.9197
 Florida Board of Professional Engineers
 Certificate Of Authorization No. 9813
 Lyndon F. Schmidt, P.E. No. 43409



SUBSTRATE	ANCHOR SCHEDULE	
CONCRETE	D	5/16" x 2-3/4" ITW (XL) HWH concrete screw with 1.75" Min. embedment, 4" minimum edge distance and 3.75" minimum clearance to adjacent concrete anchors. Concrete is 2,899 PSI minimum conforming to ACI 301.
	F	3/8" diameter x 2-1/4" ITW Dyna-Bolt sleeve anchor with 1.5" minimum embedment, 2.5" minimum edge distance and 3.0" minimum clearance to adjacent concrete screws. Concrete is 2,000 PSI minimum conforming to ACI 301.



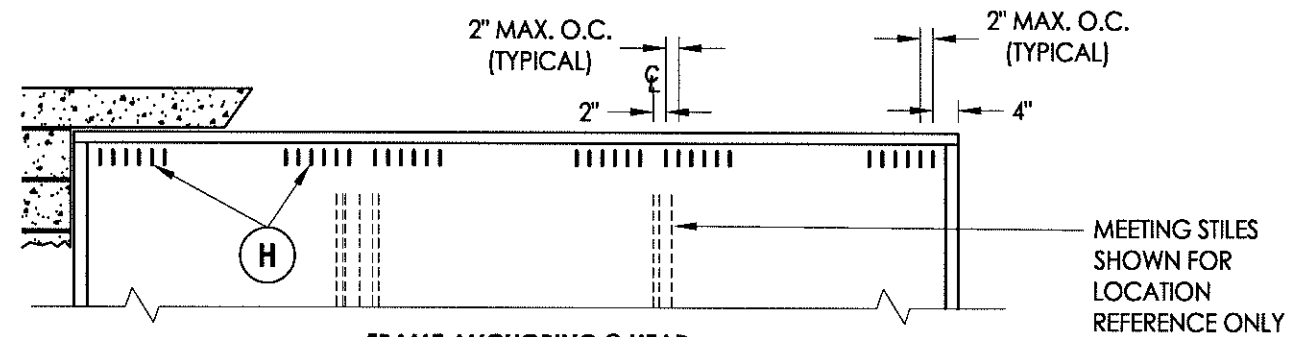
Documents Prepared By:
RW BUILDING CONSULTANTS, INC.
 P.O. Box 230 Valrico FL 33595
 Phone No.: 813.659.9197
 Florida Board of Professional Engineers
 Certificate of Authorization No. 9813
 Lyndon F. Schmidt, P.E. No. 43409

PRODUCT: SLIDING GLASS DOOR
 PART OR ASSEMBLY: ANCHORING CONCRETE SUBSTRATE

NO.	DATE	BY	REVISIONS

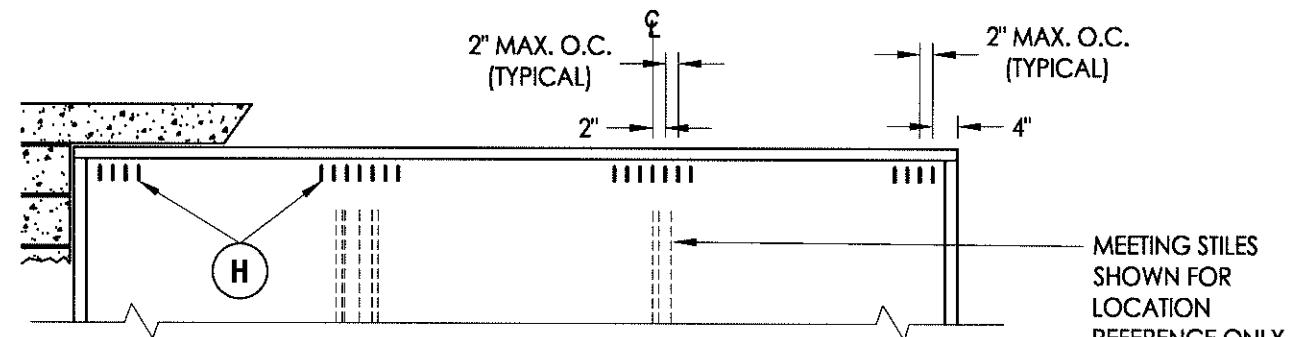
DATE: 8/24/12
 SCALE: N.T.S.
 DWG. BY: JK
 CHK. BY: LFS
 DRAWING NO.: FL-15903.14
 SHEET 8 OF 11

SUBSTRATE		ANCHOR SCHEDULE
CONCRETE	(D)	5/16" x 2-3/4" ITW (XL) HWH concrete screw with 1.75" Min. embedment, 4" minimum edge distance and 3.75" minimum clearance to adjacent concrete anchors. Concrete is 2,899 PSI minimum conforming to ACI 301.
STEEL	(H)	1/4"-20 HWH Hilti KWIK PRO self-drilling screws. Steel with 0.125" minimum wall thickness conforming to ASTM A500 Grade B, Fy = 46,000 PSI & Fu = 58,000 PSI or ASTM A653, Fy = 33,000 PSI, Fu = 45,000 PSI. Minimum embedment of 3 threads through steel substrate.



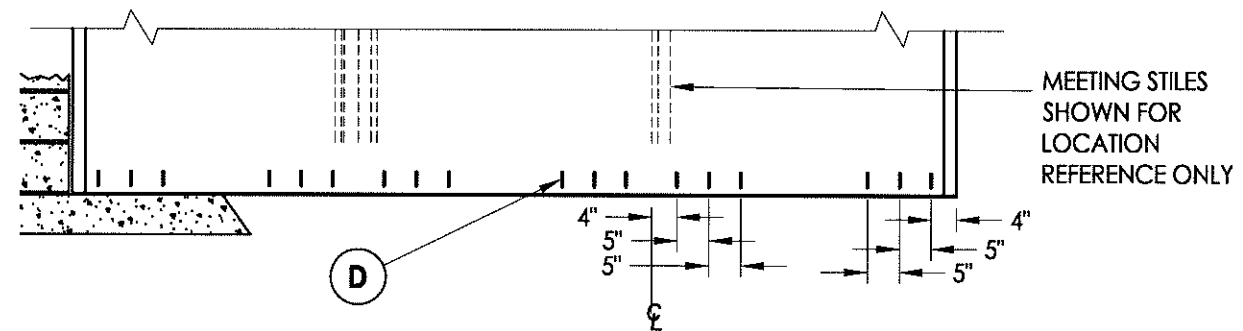
FRAME ANCHORING @ HEAD

Steel substrate
 DP <= 135 PSF
 Max. shim space <= .625"



FRAME ANCHORING @ HEAD

Steel substrate
 DP <= 80 PSF
 Max. shim space <= .625"



FRAME ANCHORING @ SILL

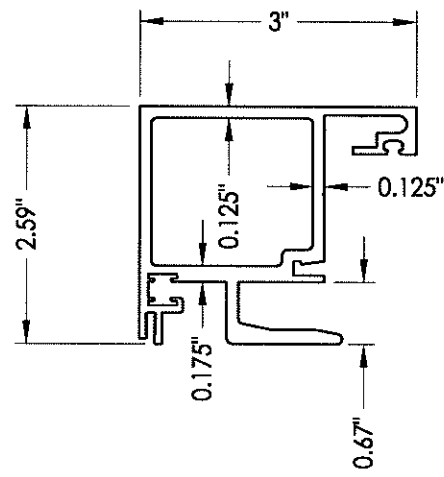
Concrete substrate
 DP <= 135 PSF
 Max. shim space <= 0.17"

Documents Prepared By:
RW BUILDING CONSULTANTS, INC.
 P.O. Box 230 Valrico FL 33595
 Phone No.: 813.659.9197
 Florida Board of Professional Engineers
 Certificate of Authorization No. 9813
FL 27-12
 Lyndon F. Schmidt, P.E. No. 43409

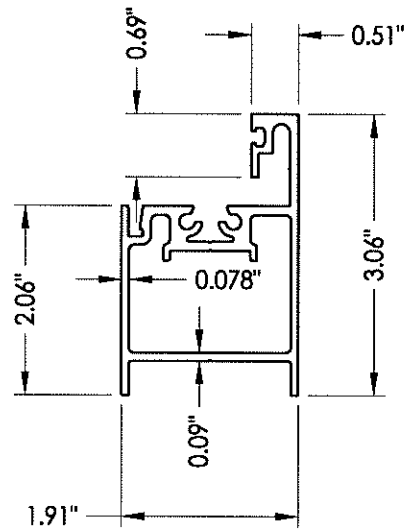
PRODUCT: SLIDING GLASS DOOR
 PART OR ASSEMBLY: ANCHORING STEEL SUBSTRATE

NO.	DATE	BY

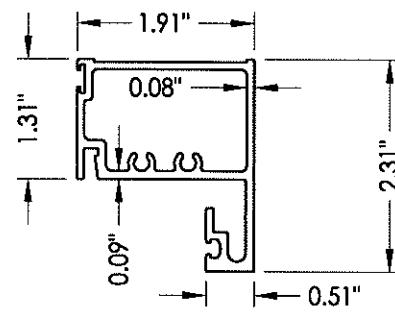
DATE: 8/24/12
 SCALE: N.T.S.
 DWG. BY: JK
 CHK. BY: LFS
 DRAWING NO.: FL-15903.14
 SHEET 9 OF 11



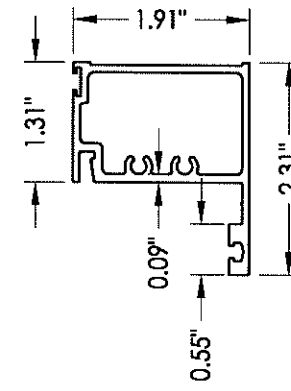
6 INTERLOCK STILE - FIXED PANEL
9/16" Glass



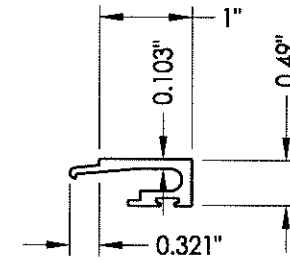
5 BOTTOM RAIL - MOVING PANEL
9/16" Glass



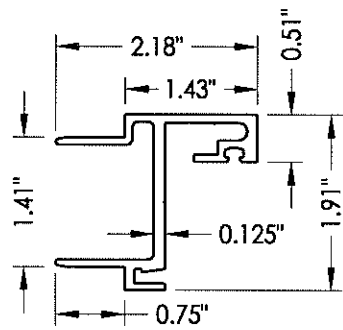
4 TOP RAIL
9/16" Glass



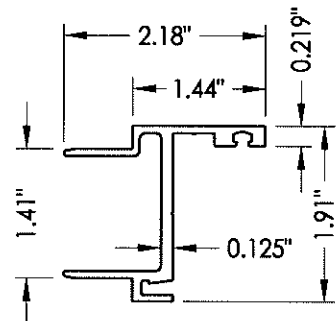
54 I.G. TOP RAIL
1-5/16" Glass



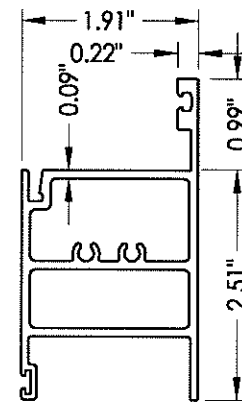
1 GLAZING BEAD
9/16" Glass



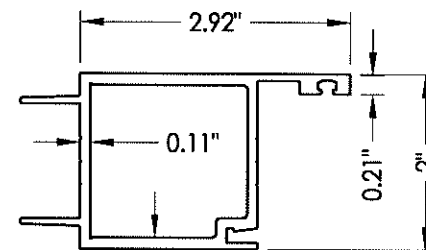
14 FIXED PANEL STILE
9/16" Glass



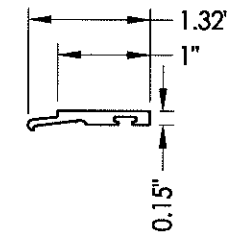
52 I.G. FIXED PANEL STILE
1-5/16" Glass



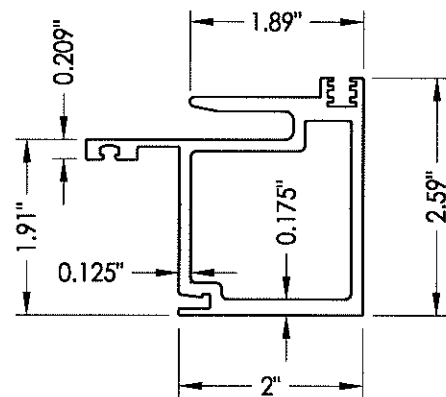
49 I.G. BOTTOM RAIL - FIXED PANEL
1-5/16" GLASS



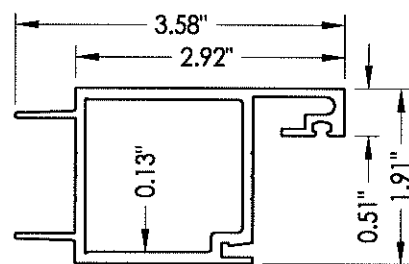
55 I.G. LEAD STILE
1-5/16" Glass



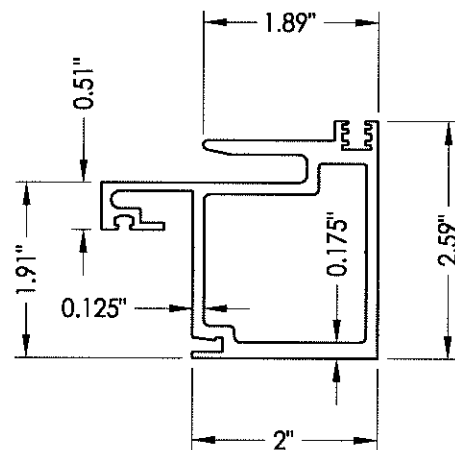
51 I.G. GLAZING BEAD
1-5/16" Glass



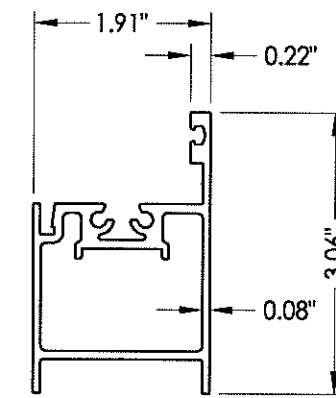
53 I.G. INTERLOCK STILE - MOVING PANEL
1-5/16" Glass



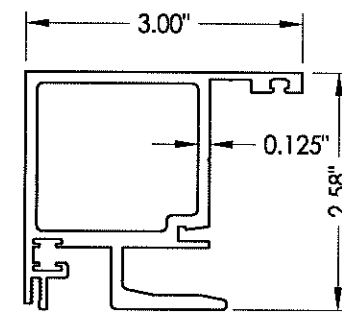
2 LEAD STILE
9/16" Glass



3 INTERLOCK STILE - MOVING PANEL
9/16" Glass



56 I.G. BOTTOM RAIL - MOVING PANEL
1-5/16" Glass



57 INTERLOCK STILE - FIXED PANEL
1-5/16" Glass

Documents Prepared By:

RW BUILDING CONSULTANTS, INC.
P.O. Box 230 Valrico FL 33595
Phone No.: 813.659.9197
Florida Board of Professional Engineers
Certificate of Authorization No. 9813
LFS 8.27.12
Lyndon F. Schmidt, P.E. No. 43409

PRODUCT: SLIDING GLASS DOOR

PART OR ASSEMBLY: COMPONENTS

NO.	DATE	BY	REVISIONS

DATE: 02/26/08

SCALE: N.T.S.

DWG. BY: JK

CHK. BY: LFS

DRAWING NO.: FL-15903.14

SHEET 10 OF 11

